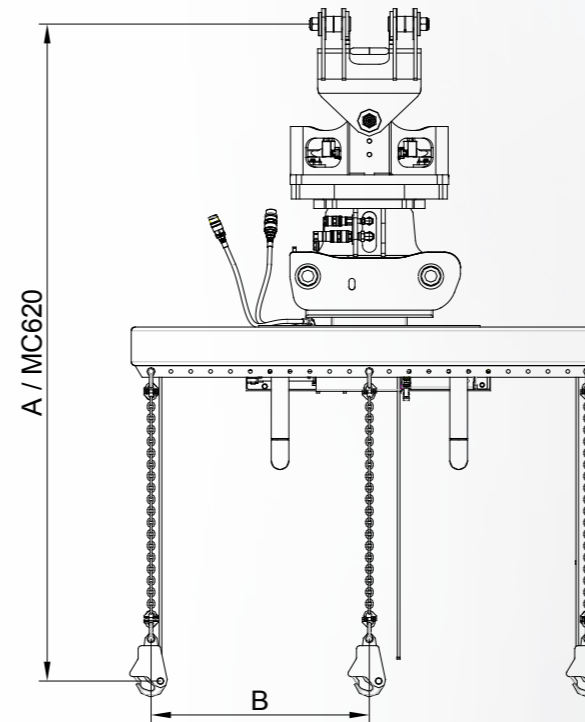


# BIG BAG SPREADERS

## MANTSINEN Big Bag Spreaders TECHNICAL SPECIFICATIONS

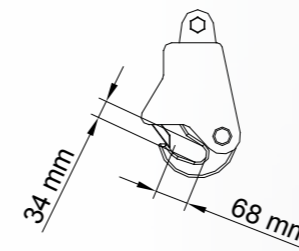


WITH QUICK COUPLER

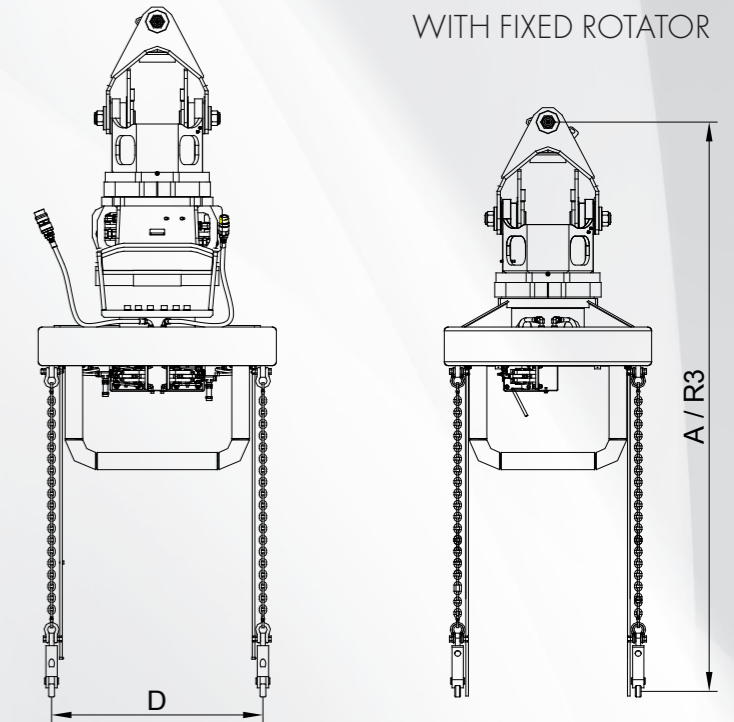


PICTURE OF BBS 3-6

HOOK



WITH FIXED ROTATOR



Model	A / R3 [mm]	A / MC620 [mm]	B [mm]	D [mm]	Weight R3* [kg]	Weight MC620** [kg]	SWL [kg]
BBS 4-2	2 830	3 430	2 000	1 000	1 160	1 000	4 x 2 000
BBS 3-6	2 830	3 430	2 x 1 000	1 000	1 160	1 000	6 x 1 500
BBS 4-8	2 830	3 430	3 x 1 000	1 000	1 360	1 200	8 x 1 000
BBS 5-10	2 830	3 430	4 x 1 000	1 000	1 460	1 300	10 x 1 000

\* The weight with fixed rotator, but excluding link

\*\* The weight with adapter, but excluding quick coupler and link

- Also available with R4 fixed rotator and MC720 quick coupler

Configurations  
from four to  
ten bags.

### BIG BAG SPREADERS

Mantsinen big bag spreaders are available in different configurations from four to ten bags. Big bag spreaders can be customized to suit different big bag designs.

Big bag spreaders feature operator controlled automatic release hooks. This ensures safety and efficiency as no people are required to unhook the bags.

Like most Mantsinen attachments, big bag spreaders are available with either quick coupling or fixed rotator.

Specifications subject to change without prior notice.  
The photographs and drawings in this brochure are for illustrative purposes only.  
Refer to the Operator's Manual for instructions on the proper use of this equipment.

