

PULP BALE SPREADERS

MANTSINEN Pulp Bale Spreaders TECHNICAL SPECIFICATIONS



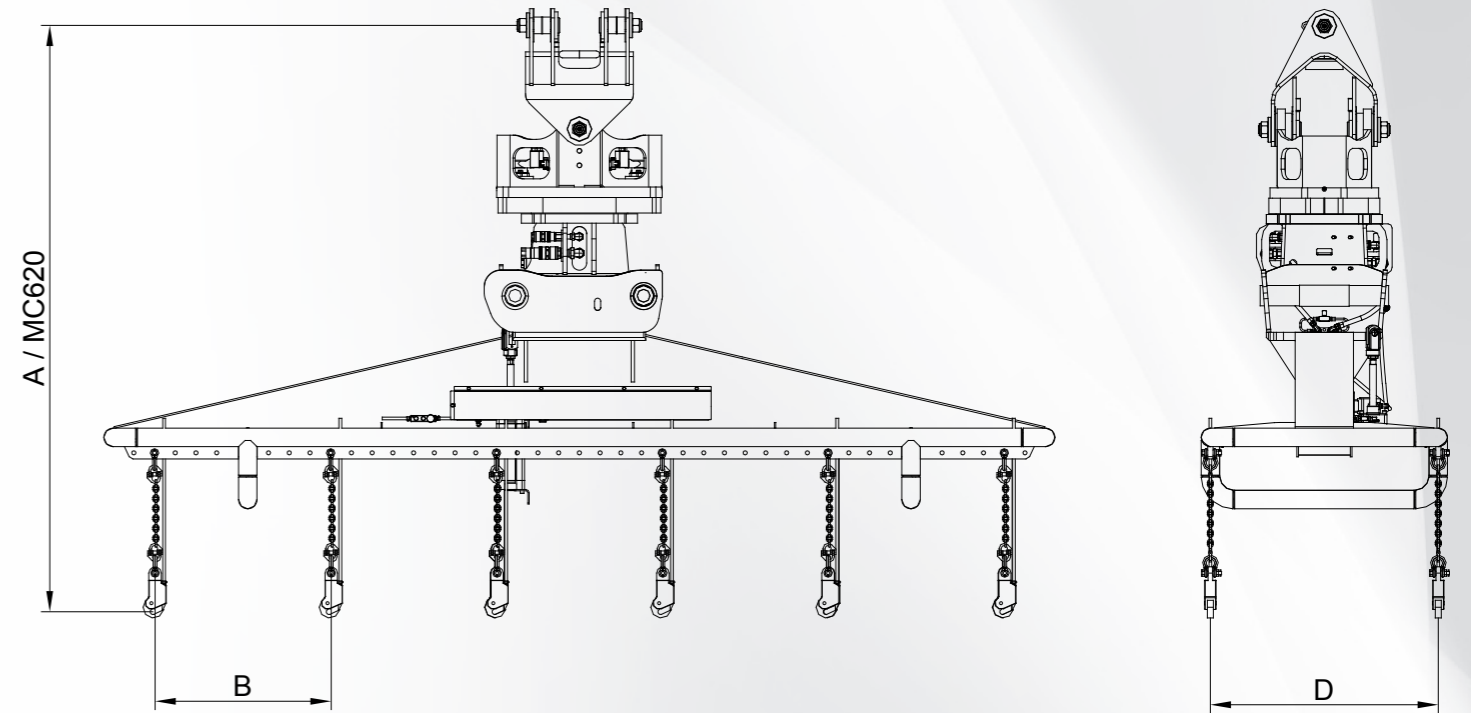
Automatic release hooks increase safety of operations.

PULP BALE SPREADERS

Mantsinen pulp bale spreaders are available in three, four, five and six bale versions, which makes them easily adaptable to different machine sizes. Automatic release hooks reduce manual labour to minimum and increase safety.

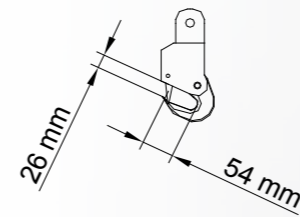
Pulp bale spreader works hydraulically and it needs no pressurized air from the material handler. When equipped with an adapter for Mantsinen quick coupling system, the spreader can be changed in a few minutes.

WITH QUICK COUPLER



PICTURE OF BBS 6-12

HOOK



Model	A / R3 [mm]	A / MC620 [mm]	B [mm]	D [mm]	Weight R3* [kg]	Weight MC620** [kg]	SWL [kg]
BS 3-6	1 960	2 560	850	1 000	1 120	960	6 x 1 500
BS 4-8	1 960	2 560	850	1 000	1 160	1 000	8 x 1 500
BS 5-10	1 960	2 560	850	1 000	1 360	1 200	10 x 1 000
BS 6-12	1 960	2 560	850	1 000	1 460	1 300	12 x 1 000

* The weight with fixed rotator, but excluding link

** The weight with adapter, but excluding quick coupler and link

- Also available with R4 fixed rotator and MC720 quick coupler

Specifications subject to change without prior notice.
The photographs and drawings in this brochure are for illustrative purposes only.
Refer to the Operator's Manual for instructions on the proper use of this equipment.

